



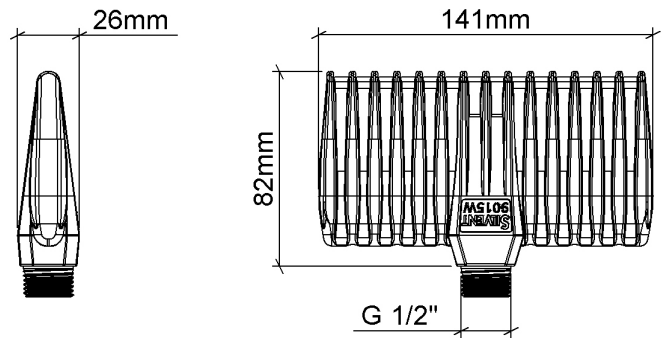
AIR NOZZLE SILVENT 9015W

Item number: 9015W0169228, 9015W0269228

SILVENT 9015W: an energy-efficient flat nozzle that generates a strong, efficient blowing force at an exceptionally low noise level. Compressed air is optimally used in this flat nozzle, which through its unique design introduces a completely new blowing technology feature. The aerodynamic nozzle design achieves the effect by maximizing entrainment of air. Each orifice is also uniquely designed to optimize the entrainment area. The air nozzle - SILVENT 9015W - is made exclusively of Zytel, a high-performance material without which the unique and truly complex Laval orifices would not be possible. These small orifices combined with the aerodynamic slots of the nozzle provide high efficiency.

Technical data

Replace open pipe Ø (mm)	17
Blowing force (N)	45.0
Air consumption (Nm ³ /h)	228
Sound level (dB(A))	94
Nozzle technology	Laval
Material (nozzle)	ZYTEL
Connection	G 1/2"
Connection type	Male
Weight (kg)	0.1550
Max temp (°C)	180
Max op. pressure (MPa)	1.0



Benefits when replacing an open pipe

Replace open pipe Ø (mm)	17	
Noise reduction	29 [dB(A)]	87%
Energy savings	308 [Nm ³ /h]	57%

Material specification: Zytel HTN FG52G35 HSL BK011, Desmopan 487, EN 10088-3

Blowing properties at different pressures

Pressure (kPa)	200	400	600	800	1000
Blowing force (N)	20.0	36.5	53.0	69.5	86.0
Air consumption (Nm ³ /h)	117.0	191.0	265.0	339.0	413.0
Sound level (dB(A))	85.7	92.1	95.8	96.8	97.4

Blowing coverage

Blowing dist. (mm)	Blowing coverage (mm)
50	155
100	180
200	210
300	250
400	290
500	330